

**CK 6.40 M
MOUNTED**



**CK 6.40 M
SEMI MOUNTED**

CROSKILLETTE CK

Settling system to reduce and calibrate clods while levelling and consolidating the seedbed.

BENEFITS

- Independent floating 3-point linkage.
- Hydraulic re-centring of the semi-mounted axle.
- Flush mounting of Ø40mm shafts and bearings.
- Heavy compaction element with 4 spokes.
- Disc check spring in assembled position.
- Optimised work speed.

Description

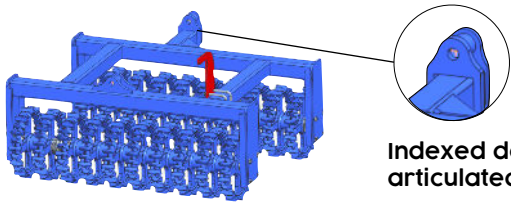
Croskilette is a tool for reducing and grading clods while levelling and consolidating the seedbed. You can use the Croskilette in several ways: with a mounted or semi-mounted; This tool optimises seeding precision by promoting soil-seed exchange by capillary action. The reconsolidation slows down drying out while preserving soil moisture. Ideal as a complement to a soil preparation tool (COMDOR Mounted or Semi-Mounted, BGL, Liborto, etc.), the aim being to improve the quality of the seedbed and create an optimum combination during your pre-seeding preparations.



CROSKILLETTE CK Disc Ø350		3.40M Fixed	4.40M Fixed	4.40M Folding	5.40M Folding	6.40M* Folding	8.40M* Folding
CROSKILLETTE CK MOUNTED	PRICE (€ EX.T) Reference	CK34036PF	CK44036PF	CK44036PR	CK54036PR	CK64036PR	CK84036PR
CROSKILLETTE CK SEMI-MOUNTED *(Nitrogen shock absorber as standard)	PRICE (€ EX.T) Reference	CK34036SPF	CK44036SPF	CK44036SPR	CK54036SPR	CK64036SPR	CK84036SPR
BASE FORMAT FRAME (m)		1x3.40	1x4.40	1.20+2+1.20	1.30+2.80 +1.30	1.80+2.80 +1.80	1.50+1.30 +2.80 +1.30+1.50
WHEEL EQUIPMENT (Semi-mounted only)		10/75x15.3	10/75x15.3	10/75x15.3	10/75x15.3	10/75x15.3	10/75x15.3
OPTIONS	Approved signs + Lighting (all models)				PRICE (€ EX.T) Reference		CK/ECLA

*EX.T : Excl Tax

Active organs

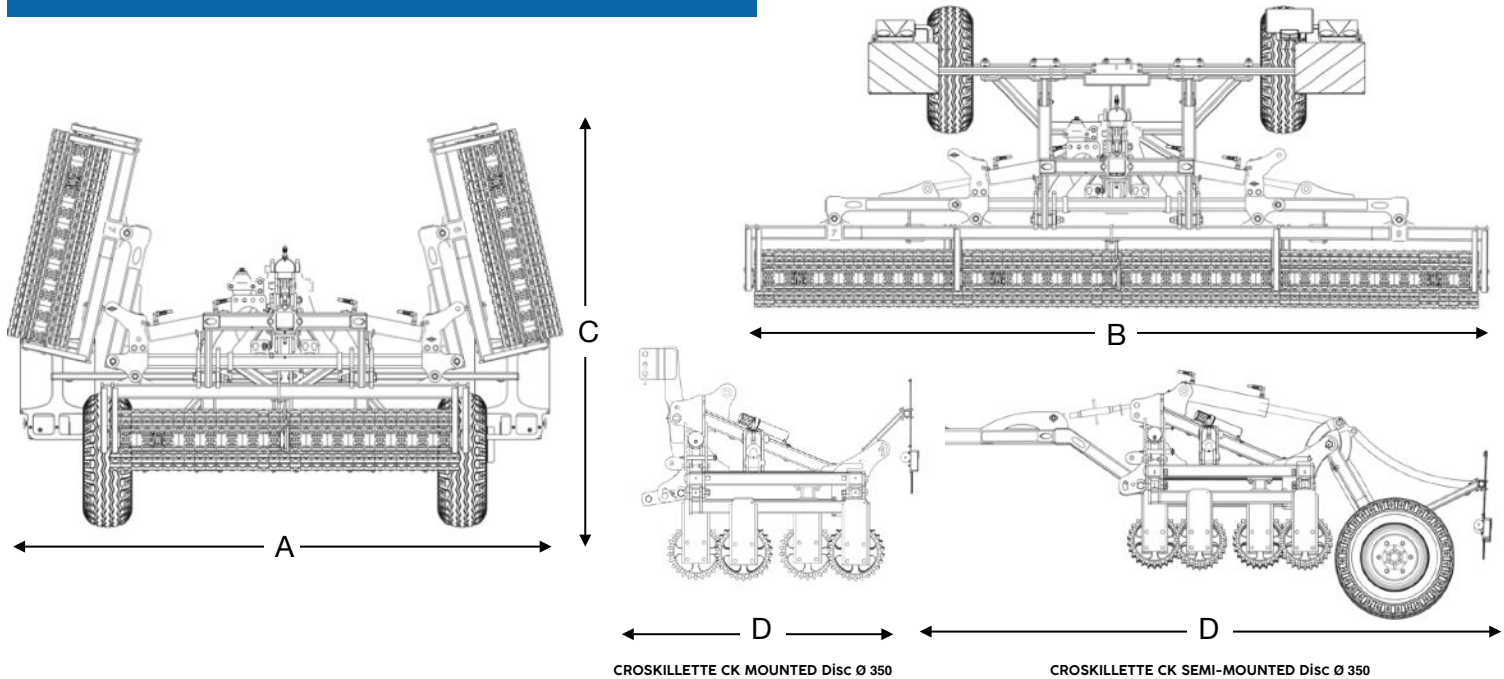


Indexed double-row articulated element.



Disc CK 350
 (Mounted, adjusted with pressure spring)

Technical information



CROSKILLETTE CK MOUNTED Disc Ø 350

CROSKILLETTE CK SEMI-MOUNTED Disc Ø 350

CROSKILLETTE CK MOUNTED Disc Ø 350 mm

Model	Effective working width	Overall width, folded (A)	Overall unfolded width (B)	Chassis type	Max height on support leg (C)	Depth with signalling (D)	Weight of complete machine (Kg)	Number of CROSKILLETTE elements	HP power Minimum
3.40M F	3,40 m	3,50 m	3,50 m	Fixed	1,40 m	1,75 m	1050	57	100
4.40M F	4,40 m	4,50 m	4,50 m	Fixed	1,40 m	1,75 m	1350	73	120
4.40M R	4,40 m	3,15 m	4,50 m	Folding	2,00 m	1,75 m	1450	73	140
5.40M R	5,50 m	3,00 m	5,60 m	Folding	2,50 m	1,75 m	1750	91	160
6.40M R	6,40 m	3,00 m	6,55 m	Folding	3,00 m	1,75 m	2100	107	180
8.40M R	8,50 m	3,00 m	8,60 m	Folding	4,00 m	1,75 m	2800	141	200

CROSKILLETTE CK SEMI-MOUNTED Disc Ø 350 mm

3.40M F	3,40 m	3,50 m	3,50 m	Fixed	1,75 m	4,70m	1400	57	100
4.40M F	4,40 m	4,50 m	4,50 m	Fixed	1,75 m	5,20 m	1700	73	120
4.40M R	4,40 m	3,15 m	4,50 m	Folding	2,30 m	5,20 m	1800	73	140
5.40M R	5,40 m	3,00 m	5,60 m	Folding	2,90 m	5,70 m	2100	91	160
6.40M R	6,40 m	3,00 m	6,55 m	Folding	3,30 m	6,20 m	2350	107	180