

COMDOR 3500 PL

COMDOR PL

COMDOR PL is renowned for its versatility in soil preparation. One of its main advantages is that it does not require high tractive power.

BENEFITS

- . Allows the preparation of floors with a very sticky consistency.
- . Maintains the quality of work and good referencing of COMDOR P.
- . Guaranteed good levelling thanks to 5 rows of VIBREX 27x10 tines, or 20 tines/m!
- . Adaptable to lighter tractors from 120 to 180 HP, depending on the model.
- . An ideal price point with the guarantee of a real all-rounder.

Description

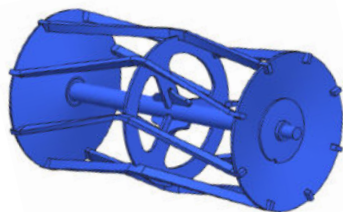
COMDOR PL is equipped with ROLNEC 500/8 (8 bars instead of 11) to improve the clearance. The central rollers are mounted with intermediate bearings, so that only 1-metre rollers are used to avoid rafter joints. The levelling board can be indexed (4 positions), as on COMDOR P. A floating 3rd point and category 3 and 4 hitch increase stability. VIBREX 27x10 wide clearance compartment with 5 rows (to improve levelling and the passage of soil + plants). Double roller harrow Ø 300 mm with stronger retaining spring. Fixed chassis in 3 m and 3.5 m versions and folding chassis in 4 m and 5 m versions.



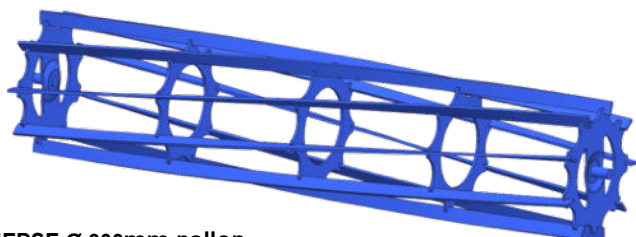
COMDOR PL (VIBREX 27x10 teeth)		3000 PL Fixed	3500 PL Fixed	4000 PL/H Folding	5000 PL/H Folding
	DOUBLE ROTO-HARROW Ø 300	PRICE (€ EX.T) Reference CO10185L	CO101855L	CO10187L	CO10200L
OPTIONS	Equipment 32x12 tines 16 tines/m on 4 rows (supplement)	PRICE (€ EX.T) Reference CO10355	CO103555P	CO10356	CO10357
	Lighting kit (All models)	PRICE (€ EX.T) Reference CO10390	Rear hitch		CO10308
	Set of 8 track eradicating ploughshares (For 27x10 teeth)	PRICE (€ EX.T) Reference CO10395	Hydraulic rear outlet D.E		CO10307
	Safety teeth eradicators (the pair) Uniquement COMDOR 4000 and 5000 PH	PRICE (€ EX.T) Reference CO10398	Roto-harrow finishing roller Ø 280 mm (1 row) suppl./m		CO10353

* EX.T : Excl Tax

Active bodies



ROLNEC roll Ø 500mm
 8 bars with 10 mm thick flange



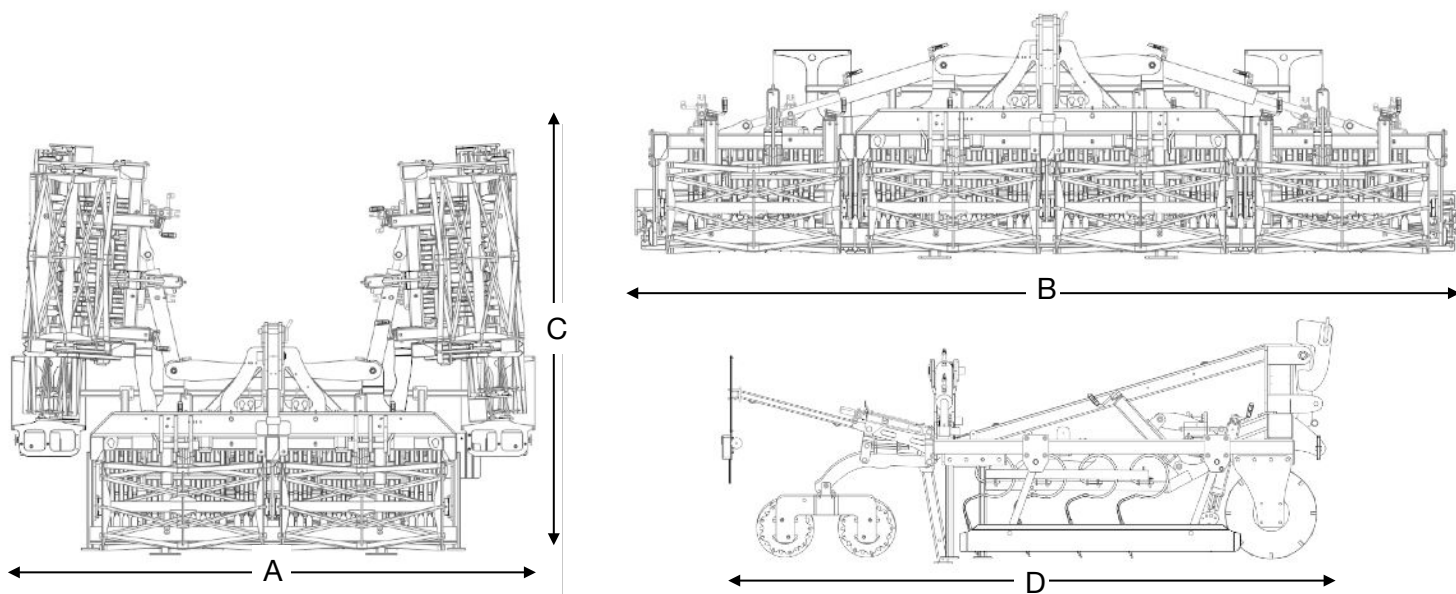
ROTO-HERSE Ø 300mm roller
 9 bars with 10 mm thick flange



27x10 flexible tooth
 Straight with share

32x12 flexible tooth
 with crow's foot or
 straight ploughshare

Technical information



COMDOR PL (27x10 teeth VIBREX)

Model	Effective working width	Overall width, folded (A)	Overall unfolded width (B)	Chassis type	Max height on support leg (C)	Depth with signalling (D)	Weight of complete machine (Kg)	Number of teeth Mounting VIBREX 27x10	PHP power Minimum
3000 PL	3,00 m	3,10 m	3,10 m	Fixed	1,31 m	3,30 m	1530	60	120
3500 PL	3,50 m	3,90 m	3,90 m	Fixed	1,31 m	3,30 m	1710	70	140
4000 PL/H	4,00 m	3,00 m	4,50 m	Folding	2,35 m	3,30 m	2050	80	150
5000 PL/H	5,00 m	3,00 m	5,50 m	Folding	2,90 m	3,30 m	2560	100	180